


2013   
DODGE CHARGER





CHARGER R/T MAX SHOWN IN PITCH BLACK.



*THIS IS A VEHICLE WITH THE APTITUDE TO SIMULTANEOUSLY  
LOOK BACK WHILE POWERING FORWARD. IT'S THE  
BRILLIANCE THAT COMES FROM SPRINGING OFF A SOLID  
FOUNDATION OF AMERICAN DESIGN AND CHARACTER AND  
BUILDING ONWARD WITH 21<sup>ST</sup>-CENTURY DRIVING DYNAMICS  
AND A CLASS-LEADING<sup>[1]</sup>\* AVAILABLE POWERTRAIN. WHILE  
ITS NOSTALGIC BEAUTY EASILY GARNERS SECOND AND  
THIRD GLANCES, IT'S THE SINGULAR, LASTING IMPRESSION  
OF THE COMPLETE PACKAGE YOU WON'T FORGET. THIS IS  
THE DRIVING EXPERIENCE THAT ONLY A LEGEND CAN  
DELIVER. THIS IS 2013 DODGE CHARGER.*

---

BEST-IN-CLASS<sup>[1]</sup> STANDARD 292-HORSEPOWER V6 WITH BEST-IN-CLASS<sup>[1]</sup> 31 HWY MPG<sup>†</sup> // AVAILABLE 300-HORSEPOWER V6 WITH BLACKTOP PACKAGE OR RALLYE APPEARANCE GROUP // AVAILABLE CLASS-EXCLUSIVE<sup>[1]</sup> EIGHT-SPEED AUTOMATIC TRANSMISSION // 5.7-LITER HEMI<sup>®</sup> V8 WITH 370 HORSEPOWER AND 395 LB-FT OF TORQUE — CHARGER R/T IS THE MOST AFFORDABLE V8 SEDAN IN AMERICA<sup>[1]</sup> // ALL-WHEEL DRIVE (AWD) AVAILABLE ON V6 AND V8 MODELS // AVAILABLE DIE-CAST STEERING WHEEL-MOUNTED PADDLE SHIFTERS // AVAILABLE INDUSTRY-EXCLUSIVE<sup>[1]</sup> BEATS AUDIO™ PREMIUM SOUND SYSTEM // AVAILABLE PREMIUM HEATED AND VENTILATED FRONT SEATS // AVAILABLE CLASS-EXCLUSIVE<sup>[1]</sup> 8.4-INCH TOUCH SCREEN // 164 LED RACETRACK TAILLAMP // CHARGER — A 2012 INSURANCE INSTITUTE FOR HIGHWAY SAFETY (IIHS) TOP SAFETY PICK // 5-STAR VEHICLE SAFETY RATING — NATIONAL HIGHWAY TRAFFIC SAFETY ADMINISTRATION (NHTSA) // 2012 BREAKTHROUGH TECHNOLOGY AWARD — EDMUNDS.COM

\*A NOTE ABOUT THIS BROCHURE: ALL DISCLAIMERS AND DISCLOSURES CAN BE FOUND ON THE LAST PAGE. †EPA ESTIMATED 19 CITY/31 HIGHWAY MPG.



**HISTORY IN THE MAKING.** IT'S IMPOSSIBLE TO TALK ABOUT THE 2013 DODGE CHARGER WITHOUT TALKING ABOUT THE NAMEPLATE'S STORIED HERITAGE. FROM FRONT TO BACK, DESIGN CUES LIKE THE DUAL SCALLOPED HOOD, THE TAPERED BODYSIDE SILHOUETTE, TIGHT WHEEL OPENINGS, DUAL TRAPEZOIDAL CHROME EXHAUST TIPS, AND THE SIGNATURE RACETRACK TAILLAMP NOD TO THE ORIGINAL. AND WHILE NOSTALGIA IS NICE, THIS IS UNDOUBTEDLY A MODERN MARVEL. THERE ARE 164 LED LIGHTS BREATHING LIFE INTO THAT SIGNATURE TAILLAMP. A LASER-BRAZED ROOF ELIMINATES ROOF DITCH MOLDINGS FOR A PURELY PREMIUM APPEARANCE. OPT FOR A NEW BLACK ROOF TO GIVE CHARGER A CUSTOM SPORTY APPEARANCE. THE POWERPLANT LURKING BELOW THE HOOD IS DESIGNED TO EFFICIENTLY SIP FUEL RATHER THAN GULP IT. STANDARD AUTOMATIC QUAD HALOGEN REFLECTOR HEADLAMPS WITH GLOSS BLACK BEZELS OR AVAILABLE LOW-BEAM HIGH INTENSITY DISCHARGE (HID) HEADLAMPS PROJECT LIGHT AND ATTITUDE WITH EQUAL AUTHORITY. AND WHILE THE OVERALL MODERN AERODYNAMIC STYLE IS THE RESULT OF PRECISION CRAFTSMANSHIP, THE AVAILABLE TECHNOLOGY IS PURELY 21<sup>ST</sup> CENTURY — A MULTILINK SUSPENSION, ADAPTIVE CRUISE CONTROL (ACC),<sup>[3]</sup> BLIND SPOT MONITORING (BSM),<sup>[4]</sup> AND FORWARD COLLISION WARNING (FCW).<sup>[5]</sup>



CHARGER BLACKTOP SHOWN WITH AVAILABLE BLACK ROOF.



CHARGER SXT PLUS WITH RALLYE APPEARANCE GROUP SHOWN IN BRIGHT WHITE.

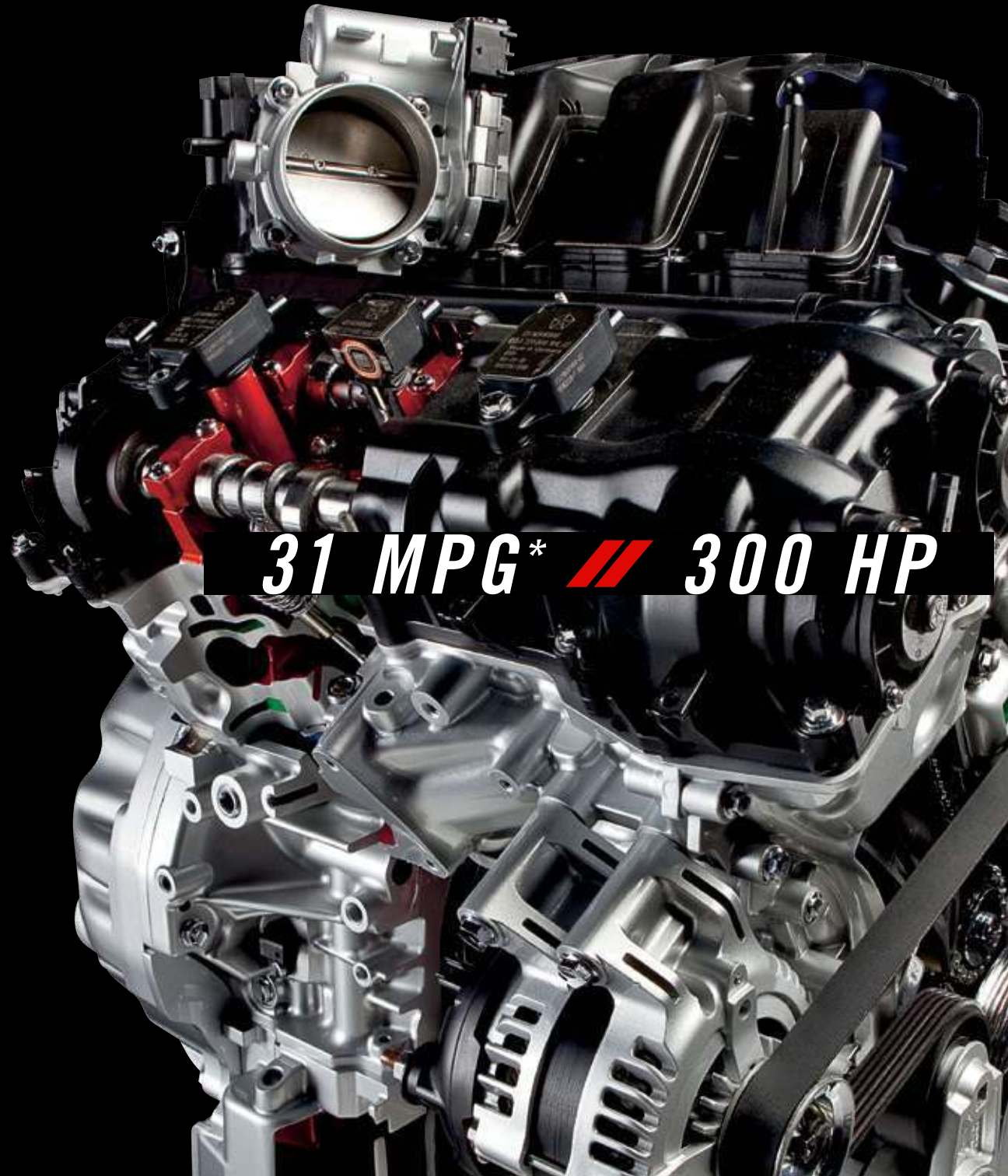
*AWARD-WINNING 3.6-LITER  
PENTASTAR® V6 ENGINE.*

NOT ONLY IS THIS DOHC VARIABLE VALVE TIMING (VVT) POWERPLANT AN AWARD-WINNING ENGINE, IT BOASTS BEST-IN-CLASS<sup>[1]</sup> STANDARD V6 292 HORSEPOWER AND 260 LB-FT OF TORQUE, AND AVAILABLE 300 HORSEPOWER WHEN YOU OPT FOR THE BLACKTOP PACKAGE OR RALLYE APPEARANCE GROUP, WHICH INCLUDES SPORT MODE, COLD AIR INDUCTION SYSTEM, SPORT-TUNED EXHAUST, AND DIE-CAST PADDLE SHIFTERS. COUPLE THAT WITH BEST-IN-CLASS<sup>[2]</sup> 31 HIGHWAY MPG\* WITH THE AVAILABLE CLASS-EXCLUSIVE<sup>[3]</sup> EIGHT-SPEED TRANSMISSION, AND THE PERFORMANCE STORY GETS EVEN BETTER. THE ONLY THING BETTER THAN NUMBERS LIKE THESE ARE ADVANCED AUTOMOTIVE ENGINE TECHNOLOGIES THAT YIELD LOW EMISSIONS AND FIRST-RATE NOISE, VIBRATION, AND HARSHNESS (NVH) CONTROL.

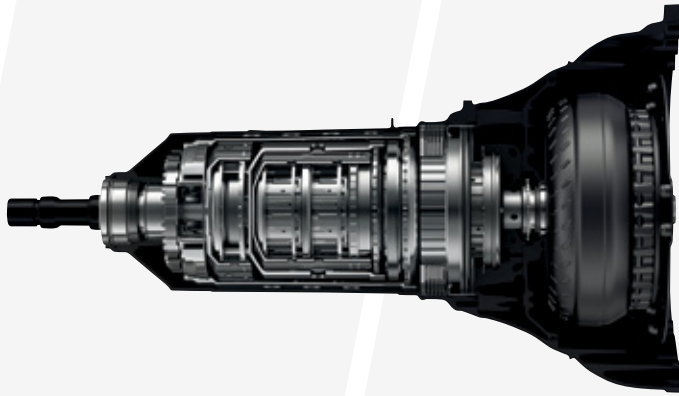
*STATE-OF-THE-ART VARIABLE  
VALVE TIMING (VVT).*

DESIGNED FOR MAXIMUM DURABILITY AND OUTSTANDING NVH CONTROL, THE VVT EMPLOYS CAM PHASING TO CHANGE THE TIMING OF VALVE OPERATION BASED ON THE ENGINE'S OPERATING CONDITIONS. CAM PHASING ELIMINATES THE FIXED RELATIONSHIP BETWEEN THE INTAKE AND EXHAUST VALVES AND ALLOWS THE GREATEST POSSIBLE VARIANCE IN VALVE TIMING. THE RESULTS ARE IMPROVED EFFICIENCY, STEADY IDLE, SMOOTH ENGINE OPERATION, AND MORE TORQUE AND HORSEPOWER WHEN NEEDED.

\*EPA ESTIMATED 19 CITY/31 HIGHWAY MPG.



**31 MPG\* // 300 HP**



**CLASS-EXCLUSIVE<sup>[1]</sup> EIGHT-SPEED TRANSMISSION WITH E-SHIFT.**

FOR SMOOTHER, FASTER, AND MORE EFFICIENT PERFORMANCE, MATE THE AVAILABLE EIGHT-SPEED TRANSMISSION WITH E-SHIFT TO THE 3.6-LITER V6 ENGINE. THE E-SHIFT ELIMINATES THE TRADITIONAL SHIFT LINKAGE, WHICH HELPS THE ENGINE TO OPERATE IN ITS OPTIMUM RANGE RESULTING IN 31 HIGHWAY MPG,\* 11 PERCENT EMISSIONS REDUCTION, NEARLY IMPERCEPTIBLE GEAR CHANGES, IMPROVED ACCELERATION TIME OF 0-60 MPH IN 6.7 SECONDS,<sup>[6]</sup> AND IMPROVED TRANSMISSION EFFICIENCY, ESPECIALLY IN COLD ENVIRONMENTS OR AT VEHICLE START-UP. TWO DIFFERENT SHIFT PROGRAMS ARE FEATURED: A STANDARD PATTERN FOR EVERYDAY DRIVING AND A SPORT POSITION FOR A MORE AGGRESSIVE FEEL AND EXTENDED SHIFT POINTS. SPORT MODE CAN ALSO BE USED WITH THE AVAILABLE DIE-CAST STEERING WHEEL-MOUNTED PADDLE SHIFTERS, PROVIDING MANUAL CONTROL.



**5.7-LITER HEMI® V8.** THE AVAILABLE CHARGER 5.7-LITER HEMI VVT V8 ENGINE GIVES DRIVERS A REMARKABLE 25 HIGHWAY MPG.† THE RESULT IS A STUNNING BLEND OF 370 HORSEPOWER, 395 LB-FT OF TORQUE, 0-60 MPH ACCELERATION IN THE LOW FIVE-SECOND RANGE,<sup>[6]</sup> AND BEST-IN-CLASS FUEL ECONOMY WITH A SEGMENT-EXCLUSIVE<sup>[1]</sup> AVAILABLE V8. STANDARD ON CHARGER R/T. †EPA ESTIMATED 16 CITY/25 HIGHWAY MPG.

**FUEL SAVER TECHNOLOGY.** THIS IS WHAT LETS CHARGER'S HEMI V8 ENGINE WALLOP OUT THE HORSEPOWER WHILE BEING THRIFTY AT THE PUMP. THE STANDARD SYSTEM ALLOWS THE ENGINE TO DEACTIVATE FOUR CYLINDERS, BASED ON DRIVING INPUT, WHEN EIGHT ARE NOT NEEDED — CREATING THE IDEAL COMBINATION OF POWER AND EFFICIENCY. WHEN CRUISING AT HIGHWAY SPEEDS, FUEL SAVER TECHNOLOGY USES ADVANCED COMPUTER TECHNOLOGY AND ELECTRONIC THROTTLE CONTROL TO TRANSFORM THE ENGINE SEAMLESSLY FROM V8 POWER TO AN EFFICIENT FOUR-CYLINDER POWERPLANT IN 0.04 SECONDS.



CHARGER SXT WITH SPORT APPEARANCE GROUP SHOWN IN BILLET SILVER METALLIC.





***GOT IT HANDLED.*** THERE IS NO SUCH THING AS TOO MUCH CONTROL. THAT'S WHY THE FRONT AND CLASS-EXCLUSIVE<sup>[1]</sup> FIVE-LINK REAR SUSPENSION COMPONENTS WERE SPECIFICALLY ENGINEERED TO DELIVER EXCELLENT BODY AND WHEEL CONTROL, OPTIMIZED ROAD SURFACE CONTACT, AND ENGAGING HANDLING PROWESS. A LOW AND LARGE SHOCK-AND-SWAY APPLICATION IMPROVES DURABILITY AND REDUCES HARSHNESS OVER BUMPS FOR EXTRA PASSENGER COMFORT. ALL CHARGERS ARE PACKED WITH STANDARD CONTROL OFFERINGS LIKE ABS, HILL START ASSIST, READY ALERT BRAKING (RAB), TWO MODES OF ELECTRONIC STABILITY CONTROL (ESC),<sup>[8]</sup> TRACTION CONTROL, AND RAIN BRAKE SUPPORT. THE STANDARD FOUR-WHEEL DISC BRAKES BRING SUBSTANTIAL BRAKING POWER WITH ANTILOCK AND BRAKE ASSIST. THE AVAILABLE TWIN PISTON, FOUR-WHEEL ANTILOCK DISC BRAKE SYSTEM (ABS) IS PERFORMANCE-TUNED TO PROVIDE IMPROVED ABS RESPONSE, MAXIMUM STOPPING POWER, AND REDUCED PEDAL TRAVEL. THE RESULTS OF ALL THIS ENGINEERING ARE REDUCED RESISTANCE AND ENHANCED LONG-TERM BRAKING PERFORMANCE.



*CHARGER R/T ROAD & TRACK.* START WITH THE LEGENDARY PERFORMANCE AND STYLE THAT ONLY A 370-HORSEPOWER HEMI® V8 ENGINE CHARGER CAN PROVIDE, AND THEN UP THE ANTE BY ADDING THE PERFORMANCE-MINDED R/T ROAD & TRACK PACKAGE. WITH THAT BOLD CHOICE, YOU'LL ALSO GET 20-INCH CHROME-CLAD ALUMINUM OR AVAILABLE FORGED POLISHED WHEELS, BODY-COLOR REAR SPOILER, MATTE BLACK GRILLE, R/T HERITAGE BADGING, P245/45R20 BSW ALL-SEASON PERFORMANCE TIRES, 3.06 AXLE RATIO, HIGH-SPEED ENGINE CONTROLLER, PERFORMANCE STEERING, PERFORMANCE SUSPENSION, FOUR-WHEEL ANTILOCK DISC PERFORMANCE BRAKES, POWER TILT/TELESCOPING STEERING WHEEL WITH PADDLE SHIFTERS, PERFORATED HEATED/VENTILATED NAPPA LEATHER-TRIMMED PERFORMANCE SEATS WITH SUEDE INSERTS, AND DRIVER'S MEMORY SYSTEM.



CHARGER R/T ROAD & TRACK SHOWN IN PITCH BLACK.

*OUTSTANDING* PERFORMANCE  
INSIDE AND OUT.





CHARGER R/T MAX SHOWN WITH RADAR RED NAPPA LEATHER-TRIMMED INTERIOR.



*ATTITUDE SETS IT APART.* RACE-INSPIRED DESIGN, BOLD COLORS, PREMIUM-QUALITY SOFT-TOUCH MATERIALS, AND A DRIVER-CENTRIC COCKPIT ARE JUST THE BEGINNING OF WHAT MAKE CHARGER'S INTERIOR INVITING. A UNIQUELY EXECUTED ALUMINUM BEZEL FRAMEWORK PROVIDES A SEAMLESS FLOW AS IT ENVELOPS THE INSTRUMENT PANEL CLUSTER AND LARGEST-IN-CLASS<sup>(1)</sup> AVAILABLE 8.4-INCH TOUCH SCREEN. OPT FOR THE INDUSTRY-EXCLUSIVE<sup>(1)</sup> BEATS AUDIO™ PREMIUM SOUND SYSTEM FOR AN INTENSE AUDIO EXPERIENCE WITH 10 PREMIUM SPEAKERS AND A 552-WATT AMPLIFIER.

ALL PILLARS ARE FABRIC WRAPPED, WHICH SPEAKS VOLUMES TO CRAFTSMANSHIP AND REFINEMENT. DRAMATIC LED LIGHTING ILLUMINATES THE DOOR PULLS, CENTER CONSOLE, AND CUP HOLDERS, AND IS AVAILABLE IN THE FOOTWELLS, STORAGE POCKETS, AND OVERHEAD CONSOLE. CHOOSE THE R/T MAX TRIM LEVEL FOR A REVVED-UP INTERIOR COMBINATION FEATURING BOLSTERED FRONT SEATS COVERED IN BLACK OR RADAR RED NAPPA PERFORATED LEATHER TRIM. FOR EXTRA COMFORT, FRONT SEATS ARE HEATED AND VENTILATED, AND REAR SEATS ARE HEATED. LEAVE IT TO CHARGER TO IMPOSE A POWERFUL PRESENCE INSIDE AND OUT.





---

## DESIGNED TO INDULGE.

---

*LAP WITH LUXURY.* WITH SERIOUSLY INTIMIDATING LOOKS, IT'S HARD TO BELIEVE AN INTERIOR CAN BE THIS INVITING. CHARGER'S AWARD-WINNING INTERIOR IS DESIGNED FOR THE COMFORT OF ALL FIVE PASSENGERS. STANDARD BEST-IN-CLASS<sup>(1)</sup> REAR-SEAT LEG ROOM AND 60/40 SPLIT-FOLDING REAR SEATS WITH AVAILABLE HEAT OFFER NOT ONLY GREAT FLEXIBILITY BUT COMFORT TOO. DEPENDING ON WHICH MODEL YOU CHOOSE, YOU CAN OUTFIT CHARGER WITH A STANDARD SIX-WAY POWER DRIVER'S SEAT OR THE AVAILABLE 12-WAY POWER DRIVER AND FRONT-PASSENGER SEATS. SPORT SEATS ARE AVAILABLE IN LEATHER OR CLOTH, OR OPT FOR PERFORMANCE LEATHER-TRIMMED VENTILATED FRONT SEATS THAT DRAW AIR THROUGH SMALL FANS LOCATED IN THE SEATBACK TO HELP COOL THE SEATING SURFACE.

TURN UP THE TUNES, CHANGE STATIONS, OR SET THE CRUISE CONTROL, ALL WHILE KEEPING YOUR HANDS ON THE WHEEL WHERE THEY BELONG WITH STANDARD STEERING WHEEL-MOUNTED CONTROLS. OPT FOR THE FULL-CIRCUMFERENCE HEATED STEERING WHEEL AND THERE'S EVEN ONE MORE REASON TO KEEP YOUR HANDS ON THE WHEEL. THE CENTER CONSOLE LIFTS FOR THE EASY ACCESS OF ALL PASSENGERS AND HAS SPACE FOR CHANGE OR TRAVEL ESSENTIALS AND MULTIPLE PORTS (AUX, 12-VOLT, AND USB) FOR PERSONAL ELECTRONIC DEVICES. A TAMBOUR DOOR LEADS TO DUAL ILLUMINATED CUP HOLDERS WITH AVAILABLE COOLING/HEATING THAT WORK INDEPENDENTLY OF EACH OTHER. TWO REAR CUP HOLDERS FOLD AWAY IN THE CENTER PANEL OF THE SEATBACK, AVAILABLE WHEN YOU NEED THEM, TUCKED AWAY WHEN YOU DON'T.

CAREFULLY CRAFTED DETAILS INCLUDE DUAL-LAMINATED WINDSHIELD AND FRONT-DOOR SIDE GLASS, BODY-CAVITY SILENCING FOAM, UNDER-FLUSH ROLL-FRAMED DOORS WITH TRIPLE SEALS, AND NOISE-DAMPENING LINED WHEEL WELLS THAT WORK TOGETHER TO KEEP THE CABIN QUIET. UNDERBODY CLOSE-OUTS NOT ONLY IMPROVE OVERALL NOISE, VIBRATION, AND HARSHNESS (NVH) CONTROL BUT ALSO GIVE CHARGER IMPROVED AERODYNAMICS.

FEEL IN COMMAND WITH THE AVAILABLE LEATHER-TRIMMED E-SHIFT KNOB. A HALO OF AMBIENT LED LIGHTING ON GAUGES MAKES READING CRITICAL INFORMATION EASY ON THE EYES. THE FULL-COLOR ELECTRONIC VEHICLE INFORMATION CENTER (EVIC) FEATURES DRIVER-SELECTABLE VEHICLE AND PERSONAL SETTINGS.





CHARGER SRT® SHOWN IN IVORY TRI-COAT PEARL.



A large, stylized 'SRT' logo is positioned vertically on the left side of the page. The letters are white with a black outline, set against a solid black background. The 'S' and 'R' are connected at the top, and the 'T' is separate. The logo is oriented vertically, reading from top to bottom.

## *MOST POWERFUL V8 IN ITS CLASS!<sup>[1]</sup> CHARGER SRT.<sup>®</sup>*



TIGHTLY PACKAGED IN THE UNMISTAKABLE SKIN OF A DODGE CHARGER, CHARGER SRT SWIFTLY MOVES BEYOND ANYTHING FAMILIAR IN THE SEDAN SEGMENT. THANKS TO AN INTENSE 470-HORSEPOWER AND 470 LB-FT OF TORQUE 6.4-LITER SRT HEMI<sup>®</sup> V8 ENGINE, CHARGER SRT IS THE MOST POWERFUL V8 SEDAN IN ITS CLASS!<sup>[1]</sup> THE PROVEN FIVE-SPEED AUTOMATIC TRANSMISSION HANDS OVER CONTROL VIA LAUNCH CONTROL AND STEERING WHEEL-MOUNTED PADDLE SHIFTERS. THE PERFORMANCE-TUNED FULLY HYDRAULIC STEERING SYSTEM IS SUPPORTED BY A HEAVY-DUTY PUMP AND REVISED GEARING FOR A MORE DIRECT FEEL AND ON-CENTER RESPONSE. THE AGGRESSIVE AND FUNCTIONAL EXTERIOR STANDS OUT WITH A UNIQUE FASCIA, REAR STYLING, SIDE SILL TRIM, AND 20-INCH FORGED ALUMINUM SRT DESIGN WHEELS. A STANDARD AIR EXHAUSTER FOR IMPROVED ENGINE COOLING AND ENORMOUS TWIN FOUR-INCH ROUND DUAL EXHAUST OUTLETS HINT AT WHAT LURKS BENEATH THE HOOD. THE HIGH-PERFORMANCE INTERIOR BOASTS A LEATHER-WRAPPED, HEATED, FLAT-BOTTOM STEERING WHEEL WITH SRT LOGO, CONTOURED PALM RESTS, AND DIE-CAST STEERING WHEEL-MOUNTED PADDLE SHIFTERS; HEATED AND VENTILATED HIGH-PERFORMANCE BOLSTERED FRONT SEATS WITH SUEDE INSERTS; SPECIAL BOLSTERING ON DOOR PANELS; DARK ENGINE TURN ALUMINUM IP CLUSTER AND SHIFTER BEZEL ACCENTS; AND CUSTOMER-SELECTABLE MODE TO MANAGE THE STANDARD BILSTEIN<sup>®</sup> THREE-MODE ADAPTIVE DAMPING SUSPENSION. DRIVERS CAN KEEP TRACK OF THEIR STATS VIA A LIQUID CRYSTAL COLOR GRAPHIC ELECTRONIC VEHICLE INFORMATION CENTER (EVIC) AND UCONNECT<sup>®</sup> 8.4-INCH TOUCH SCREEN THAT HOUSES PERFORMANCE PAGES THAT CAN BE CUSTOMIZED TO VIEW DRIVER PREFERENCES AS WELL AS INSTANT FEEDBACK ON STEERING INPUT, HORSEPOWER, TORQUE, AND ADDITIONAL ENGINE INFO, SUCH AS 0-60 TIME, 60-0 BRAKING, G-FORCES, AND QUARTER-MILE TIMES. GET MORE AT [DRIVESRT.COM](http://DRIVESRT.COM)

68° FM 91.7 10:10 54° out. 72°

Travel Link > Weather > Forecast SIRIUS TRAVEL LINK

Weather Forecast **Current** 3,6,12hr 5 Day Change Location

Ski Info Flagstaff, AZ

★ Favorites

Refresh Data

3/30/12 @ 12:45 PM

 **88°**  
Mostly Sunny

Details

91° / 78° Add ★

Radio Player Controls Climate Nav Phone More



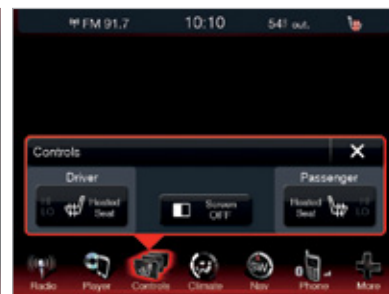
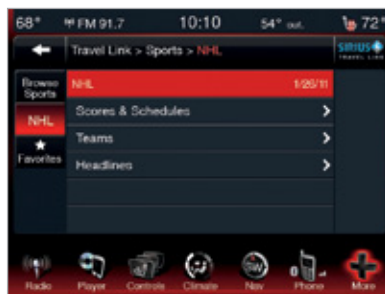
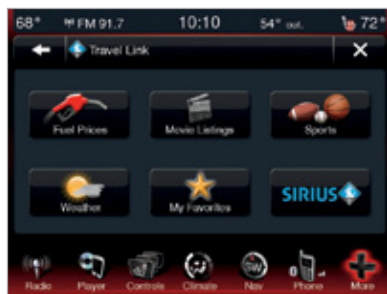
## **WELL-CONNECTED.** ENGINEERED WITH TECHNOLOGY, CHARGER AND UCONNECT® HELP KEEP YOU CLOSE TO YOUR FAVORITE PEOPLE, MUSIC, AND PLACES.

THE AWARD-WINNING AVAILABLE LARGEST-IN-CLASS<sup>[1]</sup> 8.4-INCH TOUCH SCREEN FEATURES EASY-TO-NAVIGATE ICONS FOR RADIO AND SIRIUSXM SATELLITE RADIO<sup>[9]\*</sup> CONTROLS, PERSONAL DEVICES SUCH AS AN IPOD® OR SMARTPHONE, CLIMATE CONTROLS, AVAILABLE NAVIGATION, AND BLUETOOTH® COMPATIBLE PHONES. BRING ALONG YOUR OWN TUNES VIA REMOTE SD CARD, REMOTE USB PORT WITH IPOD MOBILE DEVICE CONTROL, OR BLUETOOTH WIRELESS STREAMING. THE USB PORT CAN ALSO CHARGE YOUR COMPATIBLE DEVICES.

WITH AVAILABLE VOICE COMMAND<sup>[10]</sup> AND FRONT- AND REAR-MOUNTED STEERING WHEEL AUDIO CONTROLS, THERE'S NO TAKING YOUR HANDS OFF THE WHEEL OR EYES OFF THE ROAD. GIVE VOICE COMMANDS FOR THINGS LIKE PHONE OPERATION, RADIO/CD FUNCTIONS, AND ACCESSING YOUR DIGITAL MEDIA PLAYERS.

OPT FOR GARMIN® NAVIGATION FOR TURN-BY-TURN DIRECTIONS, LANE GUIDANCE, OR LOCATING NEARBY RESTAURANTS, SHOPPING, HOSPITALS, OR LOCAL POINTS OF INTEREST. ADD AVAILABLE SIRIUSXM TRAFFIC<sup>[9]\*</sup> FOR COMPREHENSIVE TRAFFIC INFORMATION SENT DIRECTLY TO YOUR CHARGER. THIS INCLUDES UPDATED INFORMATION ON TRAFFIC SPEED AND FLOW, ACCIDENTS, CONSTRUCTION, AND ROAD CLOSURES. CHOOSE SIRIUSXM TRAVEL LINK<sup>[9]</sup> TO BRING LOCAL AND NATIONAL WEATHER FORECASTS, FUEL PRICES FOR LOCAL GAS STATIONS, IN-GAME AND FINAL SPORTS SCORES, WEEKLY SPORTS SCHEDULES, AND LOCAL MOVIE THEATER LISTINGS RIGHT TO YOUR VEHICLE. FOR MORE INFORMATION GO TO [DRIVEUCONNECT.COM](http://DRIVEUCONNECT.COM) \*FIRST YEAR OF SERVICE IS INCLUDED.

**INDUSTRY-EXCLUSIVE<sup>[1]</sup> BEATS AUDIO.™** OPT FOR BEATS AUDIO PREMIUM SOUND SYSTEM AND BRING RECORDING-STUDIO QUALITY SOUND TO CABIN ACOUSTICS. TUNED BY DR. DRE HIMSELF, SPECIALIZED FULLY-INTEGRATED SPEAKERS ALLOW YOU TO NOT ONLY HEAR THE MUSIC BUT TO FEEL IT. REACH THE PEAK OF YOUR DESIRED TUNING THROUGH THE AVAILABLE UCONNECT 8.4-INCH TOUCH SCREEN, ALLOWING MUSIC SELECTION FROM YOUR TUNES LIBRARY, RADIO, CD, AND AN ARRAY OF DEVICES COMPATIBLE WITH THE SYSTEM THAT PUTS YOU IN THE BOOTH WITH YOUR FAVORITE ARTISTS. BEATS AUDIO INCLUDES AN ADDITIONAL 50 WATTS OF POWER PER CHANNEL, METICULOUSLY TUNED TO PLAY MUSIC THE WAY THE ARTIST INTENDED IT TO BE HEARD; 10 PREMIUM SPEAKERS WITH A 552-WATT AMPLIFIER; A SUBWOOFER AND ENCLOSURE IN THE SHOULDER OF THE TRUNK; AND THE COMMITMENT OF DR. DRE AND THE BEATS ELECTRONICS TEAM. BEATS AUDIO IS STANDARD ON R/T MAX AND INCLUDED WITH THE RALLYE APPEARANCE GROUP, BLACKTOP PACKAGE, AND WHEELS AND TUNES GROUP.



# ***BLACKTOP*** TAKE A RIDE ON THE DARK SIDE.



CHARGER WITH BLACKTOP PACKAGE SHOWN IN REDLINE TRI-COAT PEARL.



## RACE-INSPIRED, AWE-INSPIRING.

MEANT TO PUT OTHERS ON NOTICE, THE MENACING LOOK OF THE CHARGER BLACKTOP PACKAGE BUILDS OFF SXT AND SXT PLUS, AND IS NEWLY AVAILABLE ON R/T AND R/T PLUS TRIM LEVELS. IT GOES INCOGNITO WITH A BRILLIANT LACK OF BRIGHTWORK. VIRTUALLY EVERY PIECE OF EXTERIOR JEWELRY HAS BEEN BLACKED OUT FOR A SERIOUSLY INTIMIDATING LOOK. STANDARD FEATURES INCLUDE GLOSS BLACK GRILLE WITH BLACK HONEYCOMB INSERT, PERFORMANCE SUSPENSION, 20-INCH BLACK PAINTED ALUMINUM WHEELS, P245/45R20 BSW ALL-SEASON PERFORMANCE TIRES, REAR SPOILER, STEERING WHEEL-MOUNTED PADDLE SHIFTERS, CUSTOMER SELECTABLE SPORT MODE, BEATS AUDIO™ PREMIUM SOUND SYSTEM FEATURING 10 SPEAKERS WITH SUBWOOFER AND 552-WATT AMPLIFIER, AND SPORT CLOTH OR SPORT LEATHER-TRIMMED BUCKET SEATS, DEPENDING ON MODEL. BLACKTOP MODELS GET THEIR POWER FROM A 300-HORSEPOWER V6 WITH EIGHT-SPEED AUTOMATIC TRANSMISSION OR A 370-HORSEPOWER HEMI® V8 WITH FIVE-SPEED AUTOSTICK. AVAILABLE IN GRANITE CRYSTAL METALLIC, BILLET SILVER METALLIC, PITCH BLACK, REDLINE TRI-COAT PEARL, BRIGHT WHITE, OR PHANTOM BLACK TRI-COAT PEARL.



***MOST ADVANCED ALL-WHEEL-DRIVE (AWD) SYSTEM IN ITS CLASS.<sup>[1]</sup>***

DESIGNED FOR EXCELLENT CONTROL, EFFICIENCY, AND QUICK RESPONSE TO SLIPPERY CONDITIONS, CHARGER'S AVAILABLE AWD WITH CLASS-EXCLUSIVE<sup>[1]</sup> AUTOMATIC FRONT AXLE DISCONNECT ON CHARGER SXT AND R/T MODELS SEAMLESSLY TRANSITIONS BETWEEN REAR-WHEEL DRIVE AND AWD WITH NO DRIVER INTERVENTION. THE SYSTEM PROVIDES POWER ON DEMAND BETWEEN THE FRONT AND REAR DIFFERENTIALS AS NEEDED. WHEN AWD IS NOT REQUIRED, THE SYSTEM AUTOMATICALLY DISCONNECTS THE FRONT AXLE AND OPENS THE TRANSFER CASE FROM THE DRIVETRAIN TO REDUCE FRICTION AND ROTATIONAL MASS AND MAXIMIZE FUEL EFFICIENCY. AWD IS AUTOMATICALLY TRIGGERED UNDER A NUMBER OF SCENARIOS: WHEN WHEEL SLIP IS DETECTED, AUTOSTICK MODE IS ENGAGED, THE ELECTRONIC STABILITY CONTROL (ESC)<sup>[8]</sup> SYSTEM IS TURNED OFF, THE WINDSHIELD WIPERS ARE ACTIVATED, THE TEMPERATURE IS BELOW 37°F, OR THE STEERING WHEEL-MOUNTED PADDLE SHIFTERS ARE USED. DODGE CHARGER IS THE ONLY VEHICLE TO OFFER AWD WITH AN ACTIVE TRANSFER CASE AND FRONT AXLE DISCONNECT. AWD WITH STANDARD 19-INCH POLISHED ALUMINUM WHEELS WITH SATIN CARBON POCKETS IS AVAILABLE ON V6 MODELS (SXT, SXT PLUS) EQUIPPED WITH THE EIGHT-SPEED TRANSMISSION AS WELL AS V8 MODELS (R/T, R/T PLUS, R/T MAX) WITH THE FIVE-SPEED TRANSMISSION.



CHARGER R/T AWD SHOWN IN GRANITE CRYSTAL METALLIC.

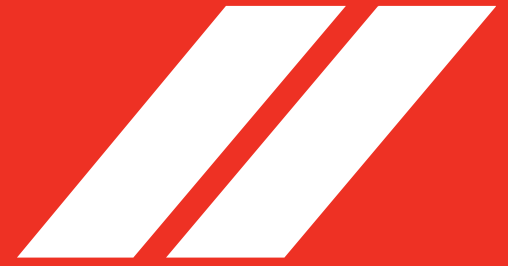


5 YEAR/100,000 MILE  
POWERTRAIN WARRANTY<sup>(11)</sup>

## CHARGER — A 2012 INSURANCE INSTITUTE FOR HIGHWAY SAFETY (IIHS) TOP SAFETY PICK.

SAFETY AND SECURITY ARE THE DRIVING PRINCIPLES BEHIND EVERY DODGE VEHICLE, INCLUDING CHARGER. **RAIN BRAKE SUPPORT** IS INVALUABLE IN WET CONDITIONS. WHEN THE WINDSHIELD WIPERS HAVE BEEN ACTIVATED, IT PULSES THE BRAKE PADS CLOSER TO THE SPINNING ROTORS — HELPING KEEP THE ROTORS AND PADS DRY FOR GREATER CONTROL AND OPERATOR SECURITY. **SEVEN STANDARD AIR BAGS<sup>(12)</sup>** ADVANCED MULTISTAGE FRONT AIR BAGS, SUPPLEMENTAL FRONT-SEAT-MOUNTED PELVIC-THORAX SIDE AIR BAGS, DRIVER-SIDE KNEE AIR BAG, AND SUPPLEMENTAL SIDE-CURTAIN AIR BAGS FOR FRONT AND REAR OUTBOARD OCCUPANTS ARE ALL STANDARD. **TIRE PRESSURE MONITORING.** STANDARD PRESSURE SENSORS IN THE TIRE VALVES ALLOW AUTOMATIC DETECTION AND NOTIFICATION WHEN TIRE PRESSURE IS LOW. **REACTIVE FRONT HEAD RESTRAINTS<sup>(13)</sup>** IN THE EVENT OF A REAR COLLISION, THESE HEAD RESTRAINTS INSTANTLY MOVE UPWARD AND FORWARD, REDUCING THE AMOUNT OF SPACE BETWEEN THE OCCUPANT'S HEAD AND THE RESTRAINTS TO HELP REDUCE THE CHANCE OF INJURY. **ELECTRONIC STABILITY CONTROL (ESC)<sup>(8)</sup>** A STANDARD VEHICLE-WIDE NETWORK OF SAFETY SENSORS PROVIDES INSTANT AID WHEN IT DETECTS THAT YOU'RE VEERING OFF YOUR INTENDED PATH. THIS ROBUST SYSTEM INCLUDES THE ANTILOCK BRAKE SYSTEM (ABS) WITH BRAKE ASSIST AND ALL-SPEED TRACTION CONTROL. **READY ALERT BRAKING (RAB).** UTILIZES INTELLIGENT SOFTWARE CONNECTED TO THE BRAKE PEDAL AND SYSTEM. IT CAN SENSE THE RATE OF PRESSURE ON THE BRAKE PEDAL, AND WHEN IT SENSES AN EMERGENCY STOP, IT INSTANTLY APPLIES THE GREATEST POSSIBLE PRESSURE TO THE BRAKES, STOPPING THE VEHICLE IN THE SHORTEST TIME POSSIBLE. **BRAKE ASSIST.** WHEN THE SYSTEM SENSES THAT A PANIC BRAKING EVENT IS OCCURRING, IT PROVIDES INCREASED BRAKING PRESSURE FOR OPTIMAL STOPPING DISTANCES. **IMPROVED CRUMPLE ZONES.** DESIGNED TO DIVERT AND DISSIPATE IMPACT ENERGY AWAY FROM THE PASSENGER COMPARTMENT, HELPING MINIMIZE INJURIES IN THE EVENT OF AN ACCIDENT. **INTELLIGENT BATTERY SENSOR (IBS).** THIS STANDARD SYSTEM CONTINUALLY MEASURES THE FLOW OF CURRENT IN TO AND OUT OF THE BATTERY. THIS ENABLES "INTELLIGENT LOAD SHEDDING," WHICH SYSTEMATICALLY SHUTS OFF THE VEHICLE'S ELECTRICAL SYSTEMS IF THE BATTERY IS RUNNING LOW TO HELP PREVENT A DRIVER BEING STRANDED DUE TO A LOW OR DEPLETED BATTERY. WHEN IBS CONDUCTS LOAD SHEDDING, AN ICON APPEARS IN THE CLUSTER DISPLAY. **SENTRY KEY<sup>®</sup> ENGINE IMMOBILIZER.** THE VEHICLE IS PREVENTED FROM STARTING UNLESS THE KEY FOB CONTAINING A UNIQUE EMBEDDED CODE IS PRESENT. **HILL START ASSIST.** AUTOMATICALLY APPLIES THE BRAKES MOMENTARILY TO HELP PREVENT ROLLBACK ON HILLS AND INCLINES.





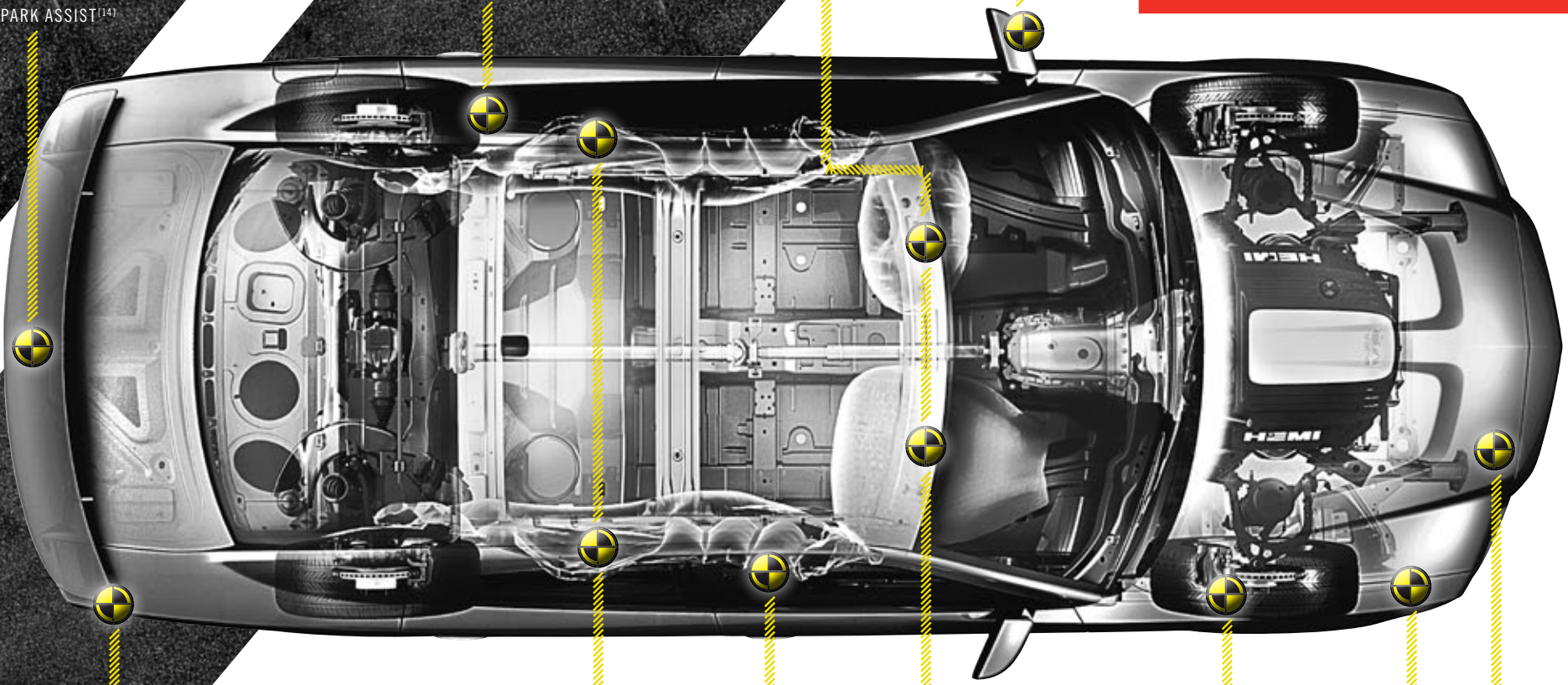
SAFETY. SECURITY.

PARKVIEW® REAR BACK-UP CAMERA<sup>[14]</sup> AND PARKSENSE® REAR PARK ASSIST<sup>[14]</sup>

HIGH-STRENGTH STEEL BODY

DRIVER-SIDE KNEE BLOCKER AIR BAG<sup>[12]</sup>

BLIND SPOT MONITORING (BSM)<sup>[4]</sup>



REAR CROSS-PATH DETECTION<sup>[14]</sup>

SUPPLEMENTAL SIDE-CURTAIN AIR BAGS<sup>[12]</sup>

REACTIVE HEAD RESTRAINT SYSTEM<sup>[13]</sup>

ADVANCED MULTISTAGE FRONT AIR BAGS<sup>[12]</sup>

FOUR-CHANNEL ANTILOCK DISC BRAKES

CRUMPLE ZONES

FORWARD COLLISION WARNING (FCW)<sup>[5]</sup>

*SENSORS WELCOME.* CHARGER OFFERS THE BEST IN AUTOMOTIVE INNOVATIONS THROUGH A BLEND OF TECHNOLOGY AND SMART ENGINEERING.

*KEYLESS ENTER 'N GO.* THIS TECHNOLOGY AUTOMATICALLY UNLOCKS DOORS WHEN THE VEHICLE IS APPROACHED AND THE DOOR HANDLE IS TOUCHED, INSTEAD OF HAVING TO FUMBLE FOR A KEY FOB. ONCE INSIDE, A SIMPLE PRESS OF THE BRAKE PEDAL AND STOP/START BUTTON BRINGS THE CHARGER ENGINE TO LIFE.

*BLIND SPOT MONITORING (BSM)<sup>[14]</sup> WITH REAR CROSS-PATH DETECTION<sup>[14]</sup>* DUAL RADAR SENSORS CONSTANTLY MONITOR DRIVER BLIND SPOTS, PROVIDING NOTIFICATION OF AN ENCROACHING VEHICLE VIA ILLUMINATING ICONS ON THE SIDEVIEW MIRRORS AND BY AUDIBLE CHIME. THE SYSTEM ALSO INCLUDES REAR CROSS-PATH DETECTION,<sup>[14]</sup> WHICH MONITORS FOR VEHICLES/OBJECTS IN PERPENDICULAR RELATIONSHIPS TO THE VEHICLE WHILE BACKING OUT OF TIGHT PARKING SPOTS. AVAILABLE.

*PARKSENSE<sup>®</sup> REAR PARK ASSIST<sup>[14]</sup>* WHEN IN REVERSE, SENSORS DETECT THE PRESENCE OF OBJECTS WITHIN 6.5 FEET IN THE BACKUP PATHWAY AND PROVIDE BOTH AN AUDIBLE CHIME AND A VISUAL WARNING. AVAILABLE.

*ADAPTIVE CRUISE CONTROL (ACC)<sup>[3]</sup>* AUTOMATICALLY ADJUSTS CRUISING SPEED TO MAINTAIN A PRESET DISTANCE BETWEEN YOUR VEHICLE AND THE ONE AHEAD. AVAILABLE.

*FORWARD COLLISION WARNING (FCW)<sup>[5]</sup>* RADAR SENSORS DETECT WHEN A VEHICLE MAY BE APPROACHING AN OBJECT TOO RAPIDLY, ALERTING THE DRIVER WITH BOTH AN AUDIBLE CHIME AND A VISUAL WARNING. AVAILABLE.

*RAIN-SENSITIVE WIPERS.* SYSTEM SENSORS AUTOMATICALLY DETECT MOISTURE ON THE WINDSHIELD AND ACTIVATE WIPERS. AVAILABLE.

*AUTO HIGH BEAM HEADLAMP CONTROL.* LOW-BEAM HIGH INTENSITY DISCHARGE (HID) HEADLAMPS AUTOMATICALLY AND INSTANTLY ADJUST BRIGHTNESS AND INTENSITY WHEN APPROACHING FORWARD LIGHTS FROM ANOTHER VEHICLE ARE DETECTED. AVAILABLE.

*REMOTE START.* THE AVAILABLE SMART REMOTE START SYSTEM OPERATES FROM AS FAR AS 300 FEET. IT STARTS THE VEHICLE VIA FOB ACTIVATION, AS WELL AS ACTIVATES THE CLIMATE CONTROL AND THE AVAILABLE HEATED OR VENTILATED SEATS AND HEATED STEERING WHEEL, DEPENDING ON TEMPERATURES OUTSIDE AND INSIDE THE VEHICLE.



CHARGER R/T MAX SHOWN IN REDLINE TRI-COAT PEARL.



CHARGER R/T SHOWN IN REDLINE TRI-COAT PEARL WITH CHROME GRILLE INSERT, BLACK CHROME GRILLE SURROUND, 20-INCH BLACK CHROME R/T WHEELS, AND R/T STRIPE DECAL KIT.

## AUTHENTIC DODGE ACCESSORIES

SEE YOUR DEALER FOR A BROCHURE OF THE FULL LINE OF  
AUTHENTIC ACCESSORIES FOR YOUR DODGE CHARGER.



**WITH YOU EVERY MILE.** MOPAR® IS WITH YOU THE MOMENT YOU GET YOUR NEW KEYS AND FOR EVERY MILE THEREAFTER. IT'S A BRAND THAT HELPS MAINTAIN AND MAKE YOUR RIDE YOUR OWN WITH PARTS AND ACCESSORIES OF EVERY KIND — ALL ORIGINAL EQUIPMENT DESIGNED BY THE SAME ENGINEERS OF YOUR VEHICLE — SPECIFICALLY FOR YOUR MODEL. IT'S NOT GUESSWORK, IT'S ABOUT GETTING-IT-RIGHT-THE-FIRST-TIME SATISFACTION WITH HIGH-QUALITY MATERIALS THAT HAVE BEEN THOROUGHLY TESTED FOR THE LONG HAUL. MOPAR ALSO ASSURES YOU WITH EXPERT TECHNICIANS WHO KNOW YOUR MAKE AND MODEL BEST, VEHICLE PROTECTION PLANS, EXPRESS LANE SERVICE, AND AN ONLINE OWNER CONNECT WEB SITE (REGISTER AT OWNERS.DODGE.COM). WELCOME TO MOPAR NATION. LEARN MORE ABOUT THE WORLD OF MOPAR AND ALL IT HAS TO OFFER AT MOPAR.COM



## CHARGER SE

### POWERTRAIN

- 3.6L Pentastar® Variable Valve Timing (VVT) 24V V6  
292 horsepower and 260 lb-ft of torque 5-speed automatic transmission (available 8-speed automatic with E-shift)

### SELECT STANDARD EQUIPMENT

- 17-inch aluminum wheels
- Bright grille
- Dual bright integrated exhaust
- LED racetrack taillamps with 164 LEDs
- Premium cloth seating with power 6-way driver's seat
- 60/40 split-folding rear seat
- Uconnect® 4.3 with 4.3-inch touch screen and CD/MP3 radio with 6 speakers
- 4.2-inch Electronic Vehicle Information Center (EVIC) in cluster
- Air conditioning with dual-zone temperature control
- Power windows, door locks, and mirrors
- Remote keyless entry
- Keyless Enter 'n Go with remote proximity entry
- Push-button start
- Tilt/telescoping steering wheel with cruise and audio controls
- Illuminated front cup holders
- Acoustic windshield and front-door side glass
- Electronic Stability Control (ESC)<sup>[8]</sup> including Hill Start Assist, Ready Alert Braking (RAB), All-Speed Traction Control, Brake Assist, and Rain Brake Support
- 4-wheel antilock disc brakes
- Reactive front head restraints<sup>[13]</sup>
- 7 standard air bags<sup>[12]</sup> including driver and front-passenger multistage air bags, supplemental front-seat-mounted pelvic-thorax side air bags, driver-side knee air bag, and supplemental side-curtain air bags for front and rear outboard passengers
- Sentry Key® engine immobilizer
- Intelligent Battery Sensor (IBS)
- Capless fuel fill

### SELECT OPTIONAL EQUIPMENT

- 8-speed automatic transmission with E-shift
- Sport Appearance Group
- Connectivity Group
- SiriusXM Satellite Radio<sup>[9]</sup> with 1-year subscription



## CHARGER SXT

### POWERTRAIN

- 3.6L Pentastar VVT 24V V6  
292 horsepower and 260 lb-ft of torque (300 horsepower with Rallye and Blacktop)  
8-speed automatic with E-shift

### SELECT STANDARD EQUIPMENT OVER SE

- Fog lamps
- Uconnect 8.4 with 8.4-inch touch screen and CD/DVD/MP3 radio
- Power 12-way driver's seat including 4-way lumbar adjust
- Heated front seats
- Leather-wrapped steering wheel and shift knob
- SiriusXM Satellite Radio<sup>[9]</sup> with 1-year subscription
- 6 premium speakers with 276-watt amplifier
- Dual-zone Automatic Temperature Control (ATC) with humidity sensor
- Uconnect hands-free communication with Voice Command<sup>[10]</sup>
- Auto-dimming rearview mirror with microphone
- Remote start
- Power heated exterior mirrors
- Universal Garage Door Opener
- Front and rear LED-lighted map pockets

### SELECT OPTIONAL EQUIPMENT

- All-wheel drive (AWD) including 19-inch polished aluminum wheels with Satin Carbon pockets
- Sport Appearance Group
- Blacktop Package
- Rallye Appearance Group
- Body-color rear spoiler
- Power sunroof
- Black roof
- Driver Confidence Group
- Navigation/Rear Back-Up Camera<sup>[14]</sup> Group



## CHARGER SXT PLUS

### POWERTRAIN

---

- 3.6L Pentastar® VVT 24V V6  
292 horsepower and 260 lb-ft of torque (300 horsepower with Rallye and Blacktop)  
8-speed automatic with E-shift

### SELECT STANDARD EQUIPMENT OVER SXT

---

- 18-inch chrome-clad aluminum wheels
- Premium Nappa leather-trimmed seats
- Power 12-way driver and front-passenger seats including 4-way lumbar adjust
- Heated rear seats
- Driver and front-passenger lower LED lamps and front overhead LED lighting
- Security alarm
- Illuminated, heated, and cooled front cup holders
- P235/55R18 BSW All-Season performance tires

### SELECT OPTIONAL EQUIPMENT

---

- AWD including 19-inch polished aluminum wheels with Satin Carbon pockets
- Blacktop Package
- Rallye Appearance Group
- Body-color rear spoiler
- Driver Confidence Group
- Power sunroof
- Adaptive Cruise Control (ACC)<sup>[3]</sup> Group
- Driver Convenience Group
- Black roof
- Navigation/Rear Back-Up Camera<sup>[14]</sup> Group



## CHARGER R/T

### POWERTRAIN

---

- 5.7L HEMI® VVT V8 with Fuel Saver Technology  
370 horsepower and 395 lb-ft of torque  
5-speed automatic transmission with AutoStick

### SELECT STANDARD EQUIPMENT OVER SXT

---

- 18-inch polished aluminum wheels
- Performance suspension
- Performance exhaust
- High Intensity Discharge (HID) headlamps
- Sport cloth front seats
- 4-wheel antilock disc performance brakes
- P235/55R18 BSW All-Season tires

### SELECT OPTIONAL EQUIPMENT

---

- AWD including 19-inch polished aluminum wheels with Satin Carbon pockets
- Blacktop Package
- Body-color rear spoiler
- Driver Confidence Group
- Power sunroof
- Wheels and Tunes Group
- Black roof
- Navigation/Rear Back-Up Camera<sup>[14]</sup> Group



## CHARGER R/T PLUS

### POWERTRAIN

- 5.7L HEMI® VVT V8 engine with Fuel Saver Technology  
370 horsepower and 395 lb-ft of torque
- 5-speed automatic transmission with AutoStick

### SELECT STANDARD EQUIPMENT OVER R/T

- 18-inch chrome-clad aluminum wheels
- Premium Nappa sport leather-trimmed seats
- Power 12-way driver and front-passenger seats including 4-way lumbar adjust
- Heated rear seats
- Driver and front-passenger lower LED lamps and front overhead LED lighting
- Security alarm
- Illuminated, heated, and cooled front cup holders

### SELECT OPTIONAL EQUIPMENT

- AWD including 19-inch polished aluminum wheels with Satin Carbon pockets
- Blacktop Package
- Body-color rear spoiler
- Driver Confidence Group
- Power sunroof
- Adaptive Cruise Control (ACC)<sup>[3]</sup> Group
- Wheels and Tunes Group
- Driver Convenience Group
- Black roof
- Navigation/Rear Back-Up Camera<sup>[14]</sup> Group



## CHARGER R/T ROAD & TRACK

### POWERTRAIN

- 5.7L HEMI VVT V8 with Fuel Saver Technology  
370 horsepower and 395 lb-ft of torque
- 5-speed automatic transmission with AutoStick

### SELECT STANDARD EQUIPMENT OVER R/T PLUS

- 20-inch chrome-clad aluminum wheels
- Body-color rear spoiler
- Matte Black grille
- Retro R/T badging
- 3.06 axle ratio
- 4-wheel antilock disc performance brakes
- High-speed engine controller with Sport Mode II
- Performance leather-trimmed seats with perforated suede inserts
- Heated and ventilated front seats
- Paddle shifters with Sport Mode
- Power, heated exterior mirrors with memory
- Auto-dimming driver's side mirror with auto adjust in Reverse
- Driver memory system for seat, mirrors, and radio
- Power tilt/telescoping steering wheel
- Power adjustable pedals with memory
- P245/45R20 BSW All-Season performance tires

### SELECT OPTIONAL EQUIPMENT

- 20-inch polished forged aluminum wheels
- Super Track Pak
- Driver Confidence Group
- Power sunroof
- Adaptive Cruise Control (ACC)<sup>[3]</sup> Group
- Beats Audio™ Premium Sound System
- Black roof
- Navigation/Rear Back-Up Camera<sup>[14]</sup> Group





## CHARGER R/T MAX

### POWERTRAIN

- 5.7L HEMI® Variable Valve Timing (VVT) V8 with Fuel Saver Technology  
370 horsepower and 395 lb-ft of torque  
5-speed automatic transmission with AutoStick

### SELECT STANDARD EQUIPMENT OVER R/T PLUS

- 20-inch chrome-clad aluminum wheels
- Premium Nappa sport perforated leather-trimmed seats
- Heated and ventilated front seats
- Uconnect® 8.4N with 8.4-inch touch screen, CD/DVD/MP3, Garmin® Navigation, SiriusXM Satellite Radio,<sup>[9]</sup> SiriusXM Traffic,<sup>[9]</sup> and SiriusXM Travel Link<sup>[9]</sup>
- Beats Audio™ Premium Sound System including 10 amplified speakers with subwoofer and 552-watt amplifier
- Power, heated tilt/telescoping steering wheel
- Adaptive Cruise Control (ACC)<sup>[3]</sup> and Forward Collision Warning (FCW)<sup>[5]</sup>
- Blind Spot Monitoring (BSM)<sup>[4]</sup> and Rear Cross-Path Detection<sup>[14]</sup>
- Rain-sensing wipers and Auto High Beam Headlamp Control
- ParkSense® Rear Park Assist<sup>[14]</sup> and ParkView® Rear Back-Up Camera<sup>[14]</sup>
- Power adjustable pedals
- Driver memory system for seat, mirrors, and radio
- Power, heated exterior mirrors with memory

### SELECT OPTIONAL EQUIPMENT

- All-wheel drive (AWD) including 19-inch polished aluminum wheels with Satin Carbon pockets
- Power sunroof
- Body-color rear spoiler
- Black roof



## CHARGER SRT®

### POWERTRAIN

- 6.4L HEMI VVT V8 with Fuel Saver Technology  
470 horsepower and 470 lb-ft of torque  
5-speed automatic transmission with AutoStick

### SELECT STANDARD EQUIPMENT OVER R/T ROAD & TRACK

- 20-inch forged aluminum SRT design wheels with Black pockets
- Unique SRT front fascia, rear fascia, ground effects, and rear spoiler
- 4-inch round oval dual exhaust outlets
- Bilstein® 3-mode adaptive damping suspension
- Bilstein 3-mode ESC<sup>[8]</sup>
- Brake knock-back mitigation
- Brembo® Red 4-piston brake calipers
- Performance leather-trimmed seats with perforated suede inserts and SRT logo
- SRT 3-spoke flat-bottom steering wheel
- Dark engine turn aluminum interior accents and bright pedals
- Uconnect 8.4N with Garmin Navigation and SRT performance pages
- ParkSense Rear Park Assist<sup>[14]</sup> and ParkView Rear Back-Up Camera<sup>[14]</sup>
- Heated leather-wrapped steering wheel
- Illuminated rear cup holders

### SELECT OPTIONAL EQUIPMENT

- 20-inch Black Vapor Chrome aluminum wheels
- P245/45ZR20 BSW performance tires
- Black front fascia accent delete
- Harman Kardon® Audio Group
- Adaptive Cruise Control (AAC)<sup>[3]</sup> Group
- Driver Confidence Group
- Power sunroof
- High-performance Laguna leather seats

## PACKAGES

### *SPORT APPEARANCE GROUP* —

18-inch chrome-clad aluminum wheels, P235/55R18 BSW All-Season performance tires, rear body-color spoiler, rear stabilizer bar, and compact spare tire

### *RALLYE APPEARANCE GROUP* —

20-inch chrome-clad aluminum wheels, P245/45R20 BSW All-Season performance tires, 300-horsepower V6 with cold air induction and sport-tuned exhaust, Sport Mode, steering wheel-mounted die-cast paddle shifters, Beats Audio™ Group including 10 amplified speakers with subwoofer and 552-watt amplifier, performance suspension, rear body-color spoiler, sport cloth seats (SXT) or sport leather-trimmed seats (SXT Plus), and compact spare tire

### *BLACKTOP PACKAGE* —

20-inch Gloss Black aluminum wheels, P245/45R20 BSW All-Season performance tires, 300-horsepower V6 with cold air induction and sport-tuned exhaust (SXT and SXT Plus), Sport Mode, steering wheel-mounted die-cast paddle shifters, Beats Audio Group including 10 amplified speakers with subwoofer and 552-watt amplifier, performance suspension, Gloss Black grille with Black honeycomb, rear body-color spoiler, sport cloth seats (SXT) or sport leather-trimmed seats (SXT Plus), and compact spare tire

### *BEATS AUDIO GROUP* —

10 amplified speakers with subwoofer and 552-watt amplifier

### *WHEELS AND TUNES GROUP* —

20-inch chrome-clad aluminum wheels, P245/45R20 BSW All-Season performance tires, Sport Mode, steering wheel-mounted die-cast paddle shifters, Beats Audio Group including 10 amplified speakers with subwoofer and 552-watt amplifier, performance suspension, rear body-color spoiler, and compact spare tire

### *CONNECTIVITY GROUP* —

Uconnect® Voice Command<sup>[10]</sup> with Bluetooth® compatible phone, Bluetooth streaming audio, leather-wrapped steering wheel and shift knob, and auto-dimming rearview mirror with microphone

### *DRIVER CONFIDENCE GROUP* —

Auto High Beam Headlamp Control, BSM<sup>[4]</sup> and Rear Cross-Path Detection,<sup>[14]</sup> ParkSense® Rear Park Assist,<sup>[14]</sup> ParkView® Rear Back-Up Camera,<sup>[14]</sup> auto-adjust in-Reverse exterior mirrors, auto-dimming exterior driver mirror, exterior mirror courtesy lamps, HID headlamps, power heated memory mirrors with manual foldaway, and rain-sensing windshield wipers

### *DRIVER CONVENIENCE GROUP* —

Sport perforated Nappa leather-trimmed seats, ventilated front seats, driver memory system including radio/driver seat/mirrors, auto-adjust in-Reverse exterior mirrors, auto-dimming exterior driver mirror, power-adjustable pedals with memory, power tilt/telescoping heated steering wheel, and power heated memory mirrors with manual foldaway

### *ADAPTIVE CRUISE CONTROL (ACC)<sup>[3]</sup> GROUP* —

ACC,<sup>[3]</sup> FCW,<sup>[5]</sup> and heated steering wheel

### *NAVIGATION/REAR BACK-UP CAMERA<sup>[14]</sup> GROUP* —

Uconnect 8.4N with Garmin® Navigation, ParkView Rear Back-Up Camera,<sup>[14]</sup> 1-year SiriusXM Travel Link,<sup>[9]</sup> and SiriusXM Traffic<sup>[9]</sup>

### *SUPER TRACK PAK* —

P245/45ZR20 BSW performance tires, 3 Mode ESC,<sup>[8]</sup> 4-wheel antilock disc HD brakes, performance steering, and sport suspension

### *HARMAN KARDON® AUDIO GROUP* —

19-speaker SRT high-performance audio and 900-watt amplifier

## DODGE.COM/LIFE

CHECK OUT AN EXTENSIVE LINE OF GIFTS AND GEAR FOR THE DODGE ENTHUSIAST. FROM AUTHENTIC APPAREL TO DIE-CAST REPLICA CARS FOR THE COLLECTOR, AS WELL AS ELECTRONICS AND OFFICE SUPPLIES, ALL LIFESTYLE ITEMS ARE AS BOLD AS YOUR DODGE VEHICLE. REFER TO DODGE.COM/LIFE FOR OUR FULL PRODUCT LINEUP.



## GO MOBILE

TAKE A MULTIMEDIA TOUR OF YOUR VEHICLE ON YOUR MOBILE DEVICE. VISIT THE CHRYSLER GROUP LLC PAGE IN iTunes® FROM YOUR SMARTPHONE OR iPad® TO DOWNLOAD THE MOST UP-TO-DATE VEHICLE APPS. LOG ON TO THE DODGE.COM MOBILE SITE FOR AN AT-A-GLANCE REVIEW OF WHAT YOU NEED TO KNOW ABOUT YOUR DODGE VEHICLE. EXPERIENCE VISUAL AND INTERACTIVE DEMONSTRATIONS WHILE GAINING ACCESS TO PRODUCT INFORMATION AT YOUR FINGERTIPS, WHEREVER YOU GO.

# CHARGER WHEELS



A



B



C



D



E



F



G



H



I

- A 17-inch aluminum (standard on SE and SXT)
- B 18-inch chrome-clad aluminum (standard on SXT Plus and R/T Plus; included in Sport Appearance Group on SE and SXT; optional on R/T)
- C 18-inch polished aluminum (standard on R/T; optional on SXT)
- D 19-inch polished aluminum with Satin Carbon pockets (standard on all-wheel-drive [AWD] models)
- E 20-inch chrome-clad aluminum (standard on R/T Road & Track and R/T Max; packaged in Rallye Appearance Group on SXT and SXT Plus; packaged in Wheels and Tunes Group on R/T and R/T Plus)
- F 20-inch Gloss Black aluminum (included with Blacktop Package on SXT, SXT Plus, R/T, and R/T Plus)
- G 20-inch polished forged aluminum (optional on R/T Road & Track and SXT Plus with Rallye Appearance Group)
- H 20-inch polished forged aluminum with Black pockets (standard on SRT®)
- I 20-inch Black Vapor Chrome aluminum (optional on SRT)



A



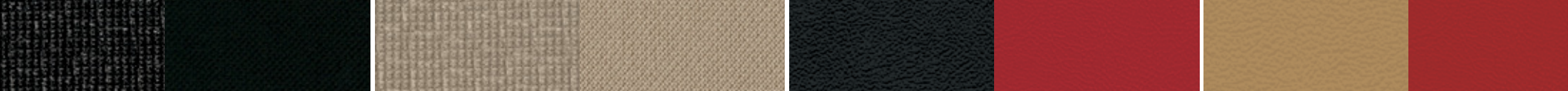
B



C



D



# CHARGER INTERIORS

A Gradual/Carolina cloth in Light Frost Beige – also available in Black (standard on SE and SXT)

B Gradual/Carolina sport cloth in Black – also available in Light Frost Beige (standard on R/T; included with Rallye Appearance Group and Blacktop Package\* on SXT)

C Nappa leather trim/Caprice in Tan – also available in Black and Radar Red (standard on SXT Plus)

D Nappa sport leather trim/Caprice in Black – also available in Tan and Radar Red (standard on R/T Plus; included with Rallye Appearance Group and Blacktop Package\* on SXT Plus)

E Nappa sport leather trim/Nappa leather with Axis II perforations/Caprice in Radar Red – also available in Tan and Black (standard on R/T Max; optional on SXT Plus and R/T Plus)

F Nappa performance leather trim/Axis II perforated suede inserts/Caprice in Black – also available in Radar Red (standard on R/T Road & Track; optional on SXT Plus with Rallye Appearance Group and Blacktop Package\*)

G Nappa performance leather trim/Axis II perforated suede inserts/Caprice in Radar Red – also available in Black (standard on SRT®)

\*Blacktop Package only available with Black interior



E



F



G



# CHARGER EXTERIORS

- 1 JAZZ BLUE PEARL
- 2 REDLINE TRI-COAT PEARL
- 3 PHANTOM BLACK TRI-COAT PEARL
- 4 GRANITE CRYSTAL METALLIC
- 5 COPPERHEAD PEARL
- 6 PITCH BLACK
- 7 BRIGHT WHITE
- 8 BILLET SILVER METALLIC
- 9 IVORY TRI-COAT PEARL

Not all models available in all colors.  
See your dealer for details.





// [DODGE.COM/CHARGER](http://DODGE.COM/CHARGER)



IN ONE WORD. CHARGER.



CHALLENGER



CHARGER



DART



AVENGER



GRAND CARAVAN



DURANGO



JOURNEY



DODGE.COM // 800-4ADODGE

DODGE IS A REGISTERED TRADEMARK OF CHRYSLER GROUP LLC.



Join our community on Facebook, follow us on Twitter, and check us out on YouTube.

[1] Based on latest available competitive information and Ward's Large Regular Vehicle segmentation. [2] Based on Ward's Large Regular Vehicle segmentation. EPA estimated 19 city/31 highway/23 combined mpg. [3] ACC is a driver's convenience system, not a substitute for active driver involvement. The driver must remain aware of traffic conditions and be prepared to use the brakes to avoid collisions. [4] Always check visually for vehicles prior to changing lanes. [5] FCW system is solely an alert system for the front of the vehicle which does not take any actions to change the vehicle dynamics to avoid a collision and is not a substitute for active driver involvement. The driver must remain aware of traffic conditions and be prepared to use the brakes to avoid collisions. [6] Based on third-party testing. [7] Based on latest available competitive information and Ward's Large Regular Vehicle segmentation. EPA estimated 16 city/25 highway mpg. [8] No system, no matter how sophisticated, can repeal the laws of physics or overcome careless driving actions. Performance is limited by available traction, which snow, ice, and other conditions can affect. When the ESC warning lamp flashes, the driver needs to use less throttle and adapt speed and driving behavior to prevailing road conditions. Always drive carefully, consistent with conditions. Always wear your seat belt. [9] Sirius services require subscriptions, sold separately after the 12-month trial included with new vehicle purchase. If you decide to continue your service at the end of your trial subscription the plan you choose will automatically renew and bill at then-current rates until you call SiriusXM at 1-866-635-2349 to cancel. See SiriusXM Customer Agreement for complete terms at siriusxm.com. All fees and programming subject to change. Sirius satellite service available only to those at least 18 and older in the 48 contiguous U.S., D.C., and P.R. (with coverage limitations). Our Internet radio service is available throughout our satellite service area and in AK and HI. Traffic information not available in all markets. See siriusxm.com/traffic for details. © 2012 Sirius XM Radio Inc. Sirius, XM and all related marks and logos are trademarks of Sirius XM Radio Inc. [10] Requires Uconnect Phone. [11] Transferable. See dealer for complete details and a copy of the 5-Year/100,000-Mile Powertrain Limited Warranty. [12] The Advanced Front Air Bags in this vehicle are certified to the new U.S. federal regulations for advanced air bags. Children 12 years old and younger should always ride buckled up in a rear seat. Infants in rear-facing child restraints should never ride in the front seat of a vehicle with a passenger front air bag. All occupants should always wear their lap and shoulder belts properly. [13] Always sit properly with the head restraint properly adjusted. Never place anything in front of the head restraint. [14] Always check entire surroundings before backing up. About this brochure: Since the time of publication, some of the information you'll find in this brochure may have been updated. Ask your dealer for details. Some of the equipment shown or described throughout this brochure is available at extra cost. Specifications, descriptions, illustrative materials, and all competitive comparisons contained herein are as accurate as known at the time this brochure was approved for publication. Chrysler Group LLC reserves the right to discontinue models at any time or change specifications without notice and without incurring obligation. Options may be required in combination with other options. For the price of the model with the equipment you desire, or verification of specifications contained here, see your Dodge dealer. Sirius, XM and all related marks and logos are trademarks of Sirius XM Radio Inc. The Harman Kardon logo is a registered trademark of Harman International Industries, Inc. Facebook is a registered trademark of Facebook, Inc. The Twitter logo is a service mark of Twitter, Inc. YouTube is a trademark of Google Inc. Bluetooth is a registered trademark of Bluetooth SIG, Inc. iPod, iPad, and iTunes are registered trademarks of Apple Inc. All rights reserved. Garmin and the Garmin logo are registered trademarks of Garmin Ltd. or its subsidiaries and are registered in one or more countries, including the United States. Bilstein is a registered trademark of August-Bilstein GmbH & Co. The trademarks Beats by Dr. Dre, Beats, Beats Audio,™ and the b logo are the property of Beats Electronics, LLC. Brembo is a registered trademark of Freni Brembo S.p.A. Chrysler, Dodge, Charger, Avenger, Challenger, Dart, Grand Caravan, Durango, Journey, Blacktop, HEMI, Mopar, ParkSense, ParkView, Pentastar, R/T, Sentry Key, SRT, SXT, and Uconnect are registered trademarks of Chrysler Group LLC. © 2012 Chrysler Group LLC. All rights reserved.